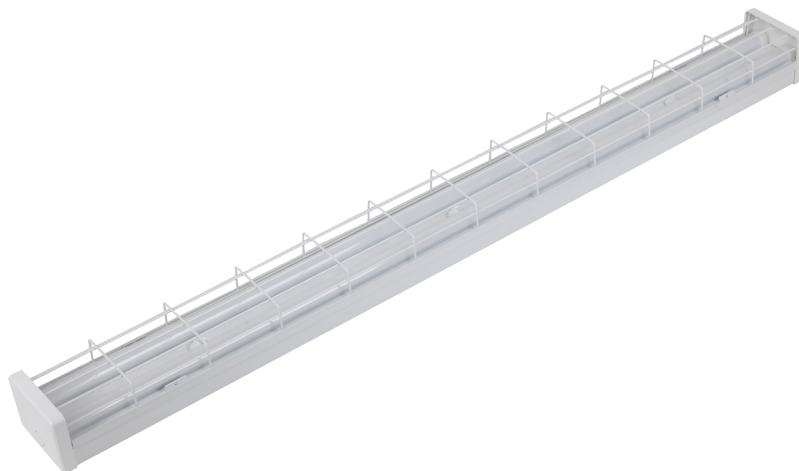


# PREMIUM - WIREGUARD BATTEN



## SPECIFICATIONS

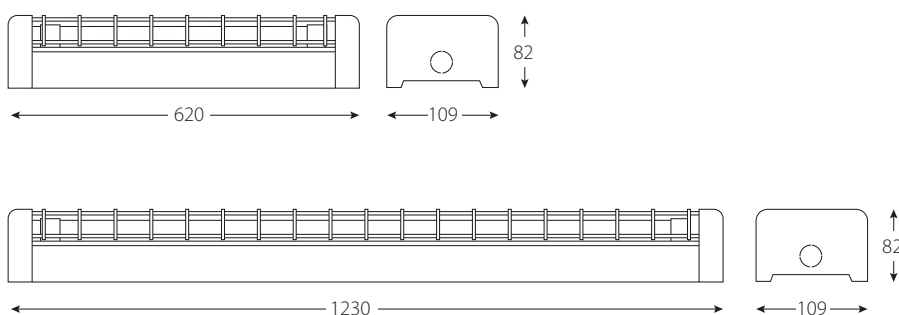
- ..... Australian Designed
- ..... Works on sensor
- ..... Dedicated LED
- ..... 130LM/W High efficiency SMD LED Diodes
- ..... Variable wattage, switch between 7w & 15w / 15w & 30w
- ..... Mild steel powder coated white
- ..... Large terminal blocks
- ..... Maintenance free
- ..... Replaceable LED driver
- ..... Replaceable PC board
- ..... 20mm Knockouts for conduit or cable glands
- ..... Designed for quick and easy installation
- ..... 5 Year Warranty\*

## PRODUCT INFORMATION

Order Code	Power	Lumens	CCT	Body Colour	CRI (Ra)	IP Rating	Beam Angle	Dimmable	Emergency	Sensor	Size	SKU Number	Carton Qty	Weight
SCI-7015	2x3.5w	950	5000k	White	82	20	120°	Optional	Optional	Optional	620 x 109 x 82mm	9376047818221	6	10.5kg
SCI-7016	2x7w	1900	5000k	White	82	20	120°	Optional	Optional	Optional	620 x 109 x 82mm	9376047818238	6	10.5kg
SCI-7017	2x7w	1900	5000k	White	82	20	120°	Optional	Optional	Optional	1230 x 109 x 82mm	9376047818245	6	19kg
SCI-7018	2x15w	3800	5000k	White	82	20	120°	Optional	Optional	Optional	1230 x 109 x 82mm	9376047818252	6	19kg

Voltage	Frequency HZ	IK Rating	Diffuser	Body Material	Mounting Type	Wiring Type
240v	50Hz	N/A	Wire Guard	Pressed Steel Base	Ceiling / Wall	Hardwire

## DIMENSIONS



## OPTIONS

- ..... Emergency
- ..... Sensor
- ..... Dimmable
- ..... Emergency / Sensor
- ..... Dimming Sensor\*